

# LED Retrofit Kit

## Ceiling / Wall Mount Fluorescent Replacement

### 120-277VAC / 60Hz

Part #: RFKIT14AJ

### Safety Precautions

- Read all safety precautions and installation instructions carefully before installing or servicing this fixture. Failure to comply with these instructions could result in potentially fatal electric shock and/or property damage.
- It is recommended that a qualified electrician perform all wiring. This fixture must be wired in accordance with all national and local electrical codes.
- Do not handle any energized fixture or attempt to energize any fixture with wet hands or while standing on a wet or damp surface or in water.
- This fixture is designed for use in a 120-277VAC, 60Hz fused circuit. This fixture is not compatible with dimming circuit.
- To reduce the risk of electrical shock, and to assure proper operation, this fixture must be adequately grounded. To accomplish proper grounding, there must be a separate ground wire (green) contact between this fixture and the ground connection of your main power supply panel.
- This fixture is intended to be used for general indoor lighting in dry or damp locations.
- Disclaimer

Changes or modifications not expressly approved by the party responsible for compliance could void the user's authority to operate the equipment. NOTE: This equipment has been tested and found to comply with the limits for a Class B digital device, pursuant to Part 15 of the FCC Rules and Canadian ICES-005 (B) / NMB-005 (B). These limits are designed to provide reasonable protection against harmful interference in a residential installation. This equipment generates, uses and can radiate radio frequency energy and, if not installed and used in accordance with the instructions, may cause harmful interference to radio communications. However, there is no guarantee that interference will not occur in a particular installation. If this equipment does cause harmful interference to radio or television reception, which can be determined by turning the equipment off and on, the user is encouraged to try to correct the interference by one or more of the following measures:

- Reorient or relocate the receiver antenna.
- Increase the separation between the equipment and receiver.
- Connect the equipment into an outlet on a circuit different from that to which the receiver is connected.
- Consult with the dealer or an experienced radio/TV technician for help.

Any modifications to this fixture may void the warranty and interfere with the safe operation of the luminaire.

Operation is subject to the following two conditions: (1) this device may not cause interference, and (2) this device must accept any interference, including interference that may cause undesired operation of the device.

### Assembly Instructions

#### Step 1 – Preparing for installation

- A. **Disconnect electrical power** at fuse or circuit breaker box before installing or servicing any part of this fixture.
- B. Carefully remove the LED retrofit kit from the carton.
- C. Remove diffuser and fluorescent lamp(s) from the old fixture.

#### Wiring – All wiring must take place inside junction box (not included)

**Caution:** Make sure power is off at fuse or circuit breaker box. Check power wires for damage or scrapes. Use wire suitable for at least 90°C (194°F). **Note:** Most dwellings built before 1985 have supply wire rated to 60°C. Consult a qualified electrician to ensure correct branch circuit conductor before installing.

#### Step 2 – Wiring fixture

- A. Cut old ballast input black and white wires from the fixture then strip off 1/4" insulation to expose bare wires. Old ballast does not need to be removed.
- B. Attach LED driver with magnets (provided), place anywhere there is space on the metal pan.
- C. Attach LED module with magnets (provided), place anywhere toward center of metal pan.
- D. Connect black (L) wire from the fixture to the LED driver black wire by inserting both wires to the same quick connector (provided).
- E. Connect white (N) wire from the fixture to the LED driver white wire by inserting both wires to the same quick connector (provided).
- F. Dress cable appropriately away not to block LED module.
- G. Affix product label and ETL marking (provided) covering old labels to be compliant with LED converted fixture.

#### Step 3 – Color Changing Temperature Adjustment, CCT (if desired)

- A. Adjust CCT switch on the board accordingly to the desired color temperature as seen. **Note:** Fixture is preset to 3000K from factory. Power to fixture must always be turned OFF prior to adjusting CCT switch.

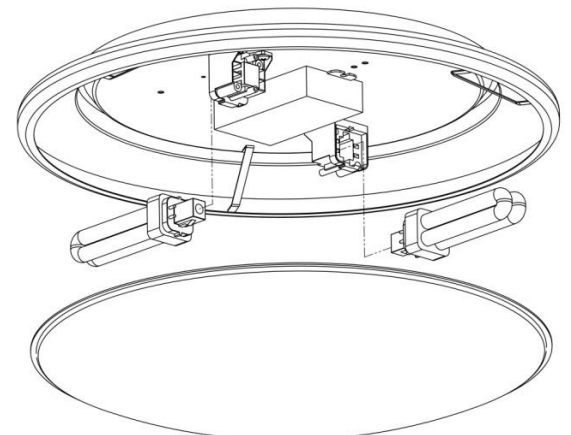
#### COLOR TEMPERATURE ADJUSTMENT SETTING



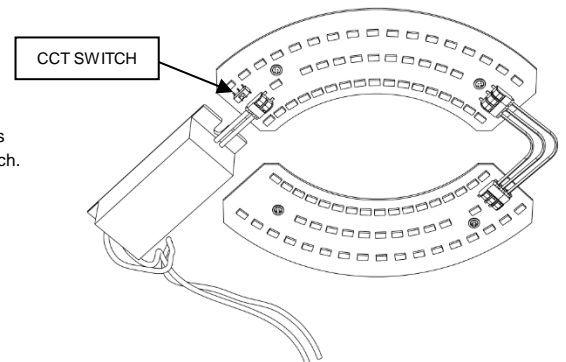
#### Step 4 – Diffuser installation

- A. Re-install diffuser to the fixture by using existing hardware.

#### Step 5 – Restore power at fuse or circuit breaker box



Existing Fixture



RETROFIT KIT

#### Limited Factory Warranty

This product is manufactured by AFX Inc. AFX warrants this fixture is free from defects in materials and workmanship when installed and used under normal operating conditions for a period of 5 years from date of purchase. This warranty covers all component parts and extends only to replacement of defective fixture or components; it does not cover failure due to improper installation, misuse, mishandling or damage incurred in transit. For questions, please call AFX at 1-800-873-2326.